

27 512 710



- spout: circular, air-enriched flow
- max. flow 23.5 l/min at 3 bar flow pressure
- Hand shower: COMPACT RAIN, max. flow rate 6.8 l/min (at 3 bar)
- complete hand shower set with anti-scale system
- 215mm projection
- automatic bath/shower diverter
- height of mixer 110 mm
- height up to aerator 84 mm
- hole diameter valve 32 mm
- hole diameter spout 32 mm
- hole diameter for complete hand shower set 32 mm
- rosette for spout 63 x 63mm
- rosette for complete hand shower set 63 x 63mm
- rosette for deck valve 63 x 63mm
- metal shower hose 1750mm with integrated anti-twist protection
- WRAS 1802015



Chrome

27 512 710-00



Brushed Platinum

27 512 710-06

Intrinsic protection against back flow.

**Recommended miscellaneous**



**Perfecto installation kit -**

12 614 970 90

**Recommended miscellaneous**

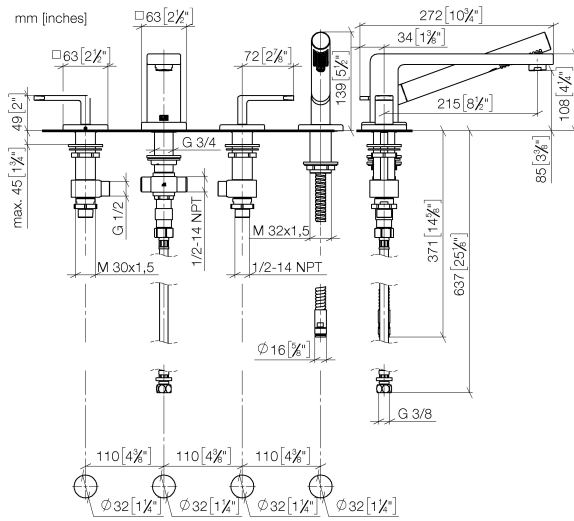


**Decorative caps for Perfecto - Chrome**

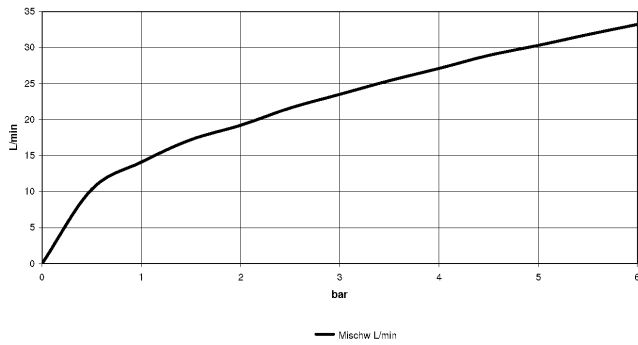
- 1 pair

12 801 970-00

27 512 710



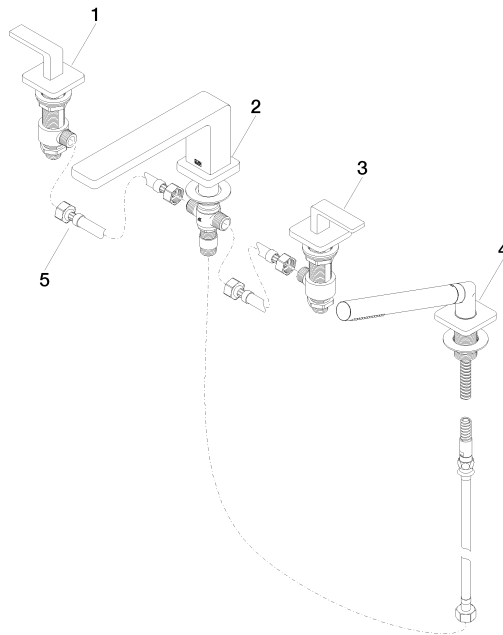
## Flow rate chart



## Certificates

IAPMO\_4976 (5). LGA\_19547.

27 512 710



### Spare parts list

No.	Item Number	Name	Quantity used	Delivery time
1	20 000 710-00	side panel	1	60
2	13 512 710-00	spout	1	60
3	20 000 711-00	side panel	1	60
4	27 702 710-00	LULU Hand shower set for bath rim or tile edge installation - Chrome	1	-
Spare part can no longer be ordered, please order the replacement item				
5	12 502 970 90	High pressure hose 1/2" x 1/2" x 400 mm -	1	2